

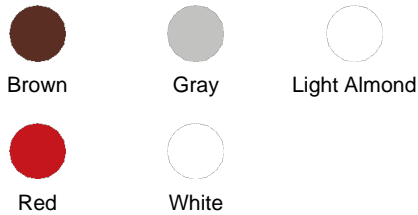


Color :  Ivory

UPC Code : 078477165751

Country Of Origin : Mexico

**Available Colors :**



## 1257-I

20 Amp, 120/277 Volt, Toggle Double-Throw Ctr-OFF Momentary Contact Single-Pole AC Quiet Switch, Extra Heavy Duty Spec Grade, Grounding, Back & Side Wired, - Ivory

Leviton's Industrial Grade AC toggle switches for extra heavy-duty applications represent top-of-the-line quality and peak performance. Leviton uses the finest materials available and the highest production standards to produce industrial switches of unmatched versatility and reliability.

### Technical Information

AC Horsepower Ratings

**HP Rating :** 1HP-120V 2HP-240V-277V

**Max. Amperage :** 16 Amp

Electrical Specifications

**Amperage :** 20 A

**Dielectric Voltage :** Withstands 1500V for 1 minute

**Endurance :** 50,000 cycles minimum

**Grounding :** Self-Grounding

**Overload UL20 Test :** 100 cycles of OL at 4.8 times rated current

**Temperature Rise :** Maximum 30 degrees C rise

**Voltage :** 120/277 VAC

Environmental Specifications

**Flammability :** Rated V-2 per UL 94

**Operating Temperature :** -40°C to 65°C

Material Specifications

**Base Material :** Thermoplastic

**Color :** Ivory

**Contact Material :** Silver Alloy

**Cover Material :** Thermoplastic

**Ground Clips :** Brass

**Grounding Screw :** Brass 8-32

**Strap Material :** Steel

**Terminal Screws :** Brass 8-32

**Toggle :** Polycarbonate

Mechanical Specifications

**Product ID :** Ratings are permanently marked on device

**Terminal Accom. :** 14-#10 AWG back wired; #14-#12 AWG side wired

**Terminal ID :** Brass-Hot Black-Hot White-Neutral Green-Gnd

**Termination :** Back or Side Wire

**Torque Range :** 12-14 inch pounds

Product Features

**Body Material :** Thermoplastic

**Color :** Ivory

**Device Type :** Toggle Switch

**Feature :** Momentary Contact CTR OFF

**Function :** Single-Pole

**Grade :** Extra Heavy-Duty Industrial Specification Grade

**Grounding :** Self-Grounding

**HP Rating :** 1HP-120V 2HP-240V-277V

**Strap Material :** Steel

**Voltage :** 120/277 VAC

Standards and Certifications

**ANSI :** C-73

**CSA C22.2 No. 111 :** File #152105

**NEMA :** WD-1 & WD-6

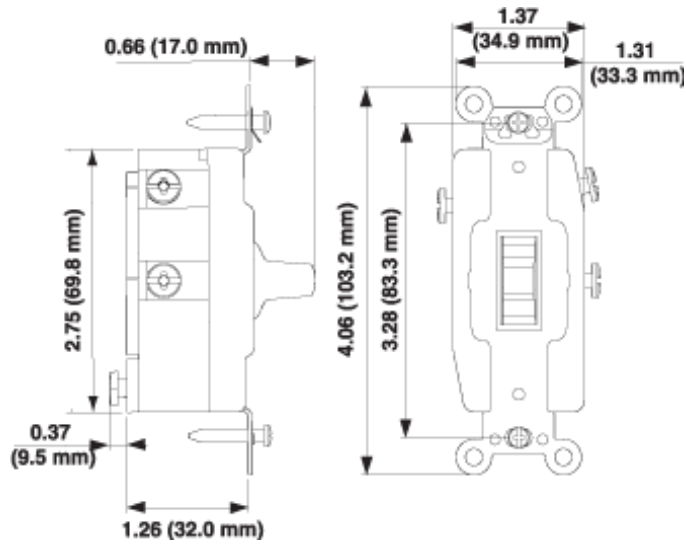
**NOM :** 057

**RoHS :** Compliant

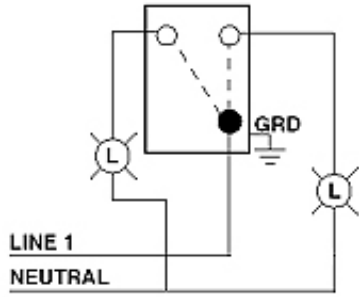
**UL Fed Spec WS896E :** File #E7458

**UL Standard :** UL 20

**Warranty :** 10-Year Limited



**Wiring Diagram**  
**Single-Pole, Double Throw**  
**(SPDT) Center OFF**



**SPECIFICATION SUBMITTAL**

JOB NAME:	CATALOG NUMBERS:	
JOB NUMBER:		

**Leviton Manufacturing Co., Inc.**  
 201 North Service Road, Melville, NY 11747  
 Telephone: +1-800-323-8920 · FAX: +1-800-832-9538 · Tech Line (8:30AM-7:30PM E.S.T. Monday-Friday):  
 +1-800-824-3005

**Leviton Manufacturing of Canada, Ltd.**  
 165 Hymus Boulevard, Pointe Claire, Quebec H9R 1E9 · Telephone: +1-800-469-7890 ·  
 FAX: +1-800-824-3005 · [www.leviton.com/canada](http://www.leviton.com/canada)

**Leviton S. de R.L. de C.V.**  
 Lago Tana 43, Mexico DF, Mexico CP 11290 · Tel.: (+52)55-5082-1040 · FAX: (+52)5386-  
 1797 · [www.leviton.com.mx](http://www.leviton.com.mx)

Visit our Website at: [www.leviton.com](http://www.leviton.com)  
 © 2018 Leviton Manufacturing Co., Inc. All Rights Reserved. Subject to change without notice.

**Leviton has a global presence.**  
 If you would like to know where your local Leviton office is located please go to:  
[www.leviton.com/international/contacts/](http://www.leviton.com/international/contacts/)

